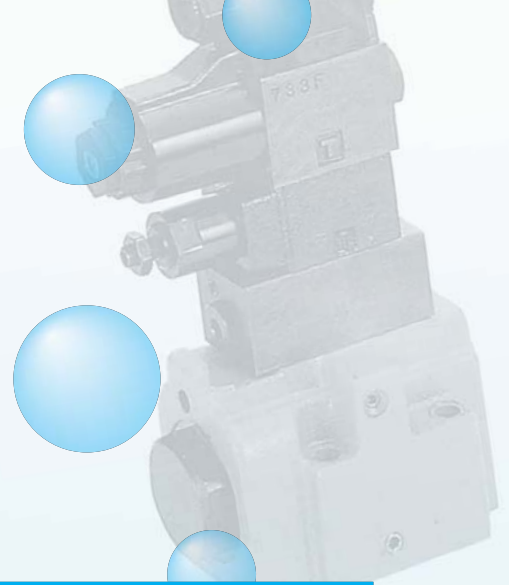


K

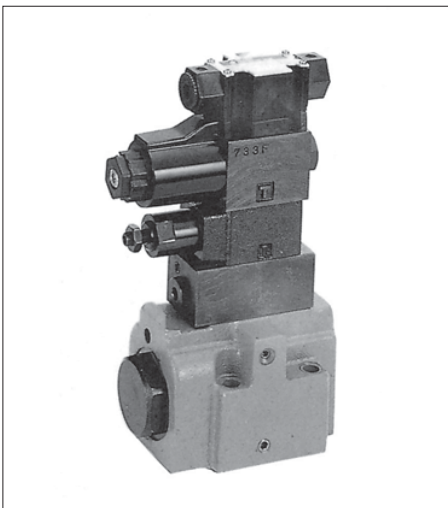
CARTRIDGE VALVES/ TYPE C2/C4 MULTI-PURPOSE VALVES



K

CARTRIDGE VALVES/TYP C2/C4 MULTI-PURPOSE VALVES

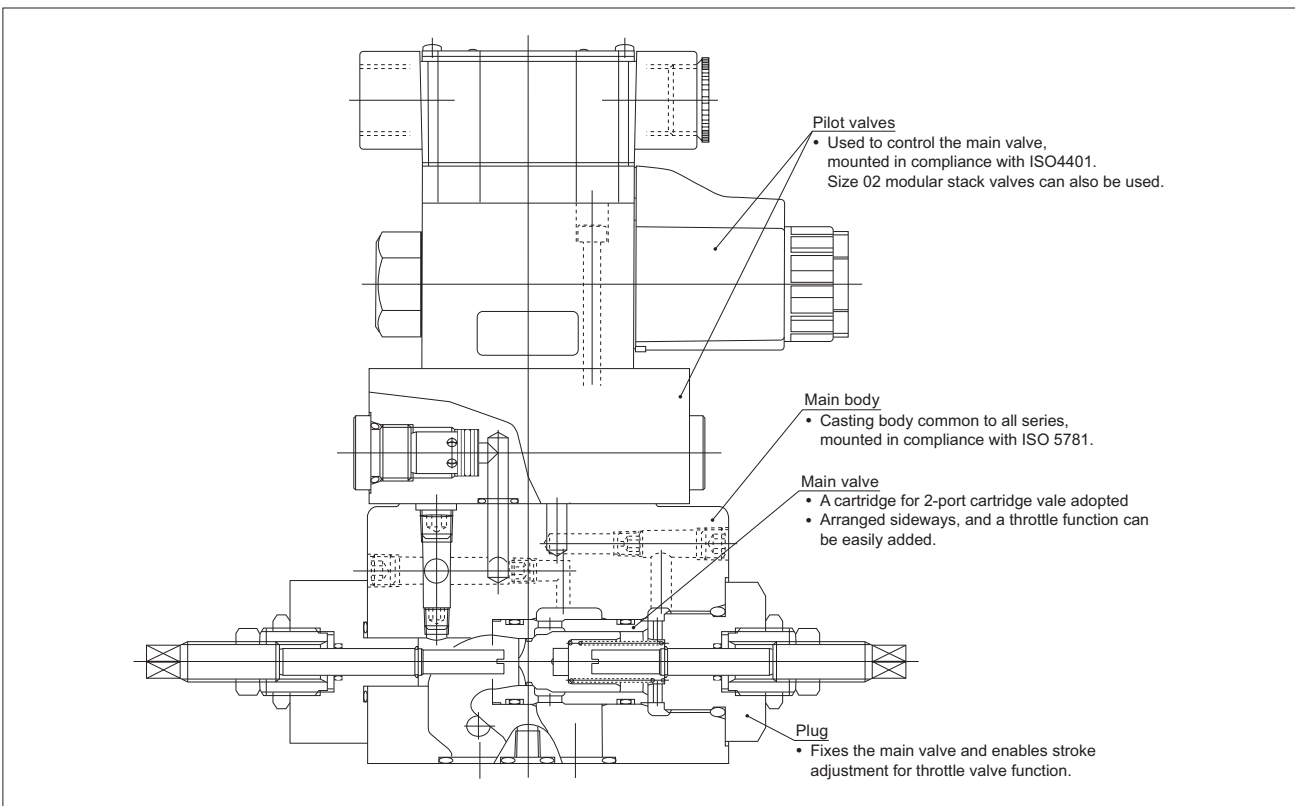
2-/4-port Multi-purpose Valve



Features

- Outstanding reliability secured by adopting 2-port cartridge valve compliant with International Standard as the main valve.
- The mounting dimensions comply with ISO 5781 (for type C2) and ISO 4401 (for type C4).
- The integrated valve with multiple functions enables compact system configuration.
- This product series not only incorporates most of the conventional valve functions but also deploys new ones.
 - (1) **Type C2 low-pressure relief valves [C2RL※]** capable of pressure adjustment from 0 MPa {0 kgf/cm²}
 - (2) **Type C2 low-pressure reducing valves [C2GL※]** capable of pressure adjustment more or less from 0 MPa {0 kgf/cm²} with the better pressure-drop response
 - (3) **Type C2 solenoid valve with 2-speed throttle function [C2S※]** usable as an acceleration/deceleration valve
 - (4) **Type C4 solenoid valve** incorporating functions required when constructing a hydraulic press circuit, i.e. the functions of a differential circuit, counter balance valve and throttle valve, along with a decompression function, in a single unit

Basic structure



Specifications

Model No.	Maximum operating pressure MPa {kgf/cm ² }	Maximum flow rate L/min
C2※-G03	25 {250}	200
C2※-G06		500
C4S※-G06		400
C4S※-G10		800

Note: Since the pressure and flow rate specifications and handling of the valves differ depending on the valve functions, refer to the pages describing each model for details.

Models

2-port pressure control valve	Type C2 relief valve	Basic function C2R-G** 	With solenoid valve C2RS-G** 	Solenoid operated proportional control C2RP-G** 	Type C2 low-pressure relief valve	Basic function C2RL-G** 	With solenoid valve C2RLS-G** 	Solenoid operated proportional control C2RLP-G03
	Page	-	-	J-11	Page	E-33	E-36	J-15
	Type C2 pressure reducing valve	Basic function C2G-G** 	Solenoid operated proportional control C2GP-G03 	Solenoid operated proportional control High flow rate type C2GXP-G03 	Type C2 low-pressure reducing valve	Basic function C2GL-G** 	Solenoid operated proportional control C2GLP-G03 	
Page	-	-	-	Page	E-55	J-18		
2-port flow rate/directional control valve	Type C2 solenoid valve	Basic function C2S-G** 	With throttle function C2ST-G** 	With a series check valve function C2SCS-G** 	With a series check valve throttle function C2SCST-G** 	With a parallel check valve function C2SCH-G** 	With a parallel check valve throttle function C2SCHT-G** 	With 2-speed throttling function C2SW-G**
	Page	-	-	-	-	-	-	G-70
	Type C2 pilot operated directional control valve	Basic function C2H-G** 	With throttle function C2HT-G** 	Type C2 seat solenoid valve	Basic function C2SL-G** 	With throttle function C2SLT-G** 	Type C2 check valve	Basic function C2C-G**
Page	-	-	Page	G-81	G-81	Page	-	-
2-port flow rate/directional control valve	Type C2 pilot check valve	Basic function C2P-G** 	With throttle function C2PT-G** 					
	Page	-	-					
4-port directional control valve	Type C4 solenoid pilot valve	Basic function C4S-G** 	With throttle function C4ST-G** 	With counter balance valve function on port A C4S*-G***-Q 	With decompression function on port B C4S*-G***-*D 	With counter balance valve function on port A and decompression function on port B C4S*-G***-*QD 		
	Page	-	-	-	-	G-74		

K

CARTRIDGE VALVES/TYPICAL MULTI-PURPOSE VALVES

DAIKIN INDUSTRIES, LTD.

Oil Hydraulic Equipment

Osaka Office

YODOGAWA PLANT

1-1, Nishi-Hitotsuya, Settsu, Osaka 566-8585, Japan

Indian Representative

Technocrats Alliance Engineering Pvt. Ltd.

Works/Correspondence Office : 11/23, TIL Compound, Site-IV,
Sahibabad Industrial Area, Ghaziabad - 201010 (UP) INDIA

Registered Office : C - 12 / 333, Yamuna Vihar, Delhi - 110053 INDIA

Tel: +91-11- 42448311, 22448312 Fax: +91-11-4248312

E-mail : info@tca.co.in website : www.tca.co.in